



Telescopic
Vertical
Axis



Vertical Axis
Balance
Cylinder



Manual
Central
Lubrication



Easy Position
(Location)
Teaching

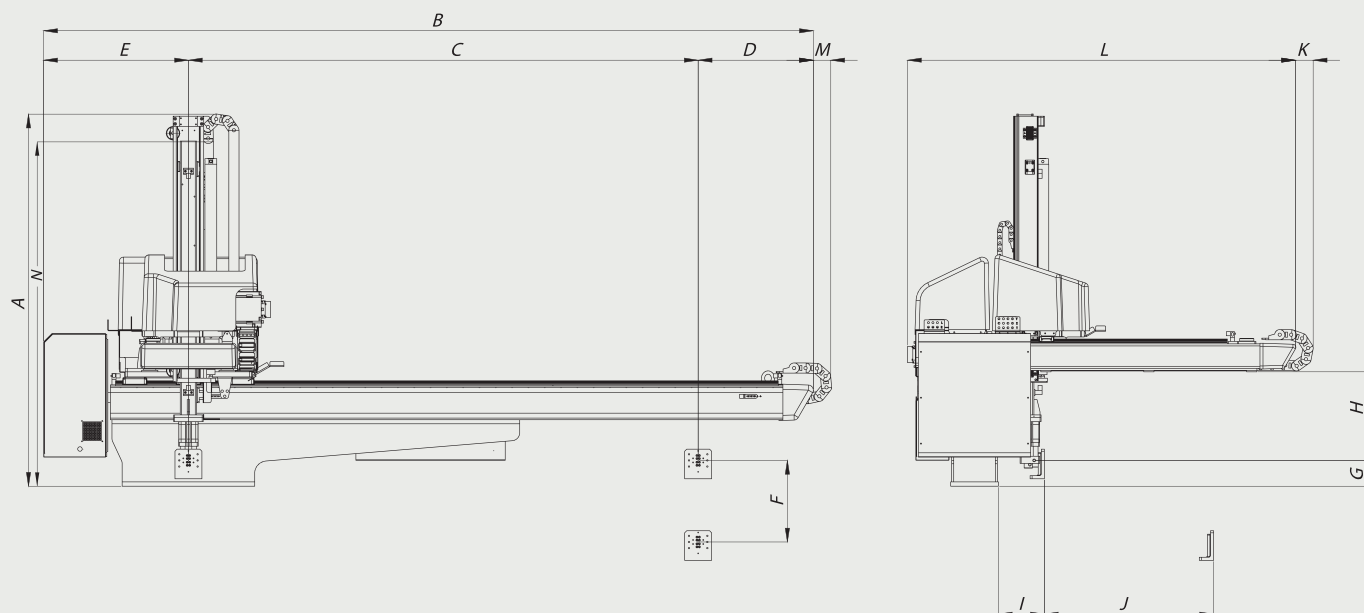


Fast
Cycle

FUNDAMENTAL MECHANICAL SPECIFICATIONS

Model	Axis Strokes (mm)			Injection Clamping Force Range (Ton)	Driving Method	Lineer Position Repeatability (mm)	C Axis Posture ↙ 90°		Net Weight (kg)
	Vertical	Crosswise	Traverse				Maximum Payload (kg)	C Axis Posture Torque (Nm)	Main Body
SCH1600II	1600	830	2.550	400 - 850	AC Servo Motor	±0.1	35 (*1)	65	700

(*1) Weight of Robotic Hand is Included.



DIMENSIONS (mm)

A	Height	1825
B	Length	3725
C	Traverse Axis Stroke	2500
D	Traverse Axis Stroke Excluded Distance (Product Place Region)	520
E	Traverse Axis Stroke Excluded Distance (Product Pick Up Region)	710
F	Vertical Axis Stroke	1600
M	Traverse Axis Cable Carrier Overflow	230
N	Balance Cylinder Height	1610

G	Vertical Wait	118
H	Gripper Assembly Position under Crosswise Axis	440
I	Minimum Crosswise Wait	256
J	Maximum Crosswise Stroke	830
I+J	Maximum Crosswise Reach	1086
L	Width	1835
K	Crosswise Start Distance	160

Power Supply	Maximum Power (kW)	Air Pressure (Bar)	Air Consumption (NI/Cycle)
Three-phase AC 380V ± %10 (50Hz/60 Hz)	4,3	4 - 6 (*2)	3.5

(*2) Need for Pressurized Air Purified (Dried) from Oil and Humidity Exists.

GENERAL FEATURES

- Vacuum Line
- Blow Line
- Sprue Gripper Line
- Product Pickup from Fixed and Moving Platens
- Selection of Operator / Non-operator Working Direction
- Vacuum Level Adjustment on the Control Panel
- Product Sorting and Stacking
- Product Sorting in Matrix Form
- Soft Sorting / Separation
- Y Axis Free
- Eco Mode (Automatic Energy Saving Cycle Feature)
- Product Extraction from Core in the Mold
- Sprue Separation
- Sample Separation
- Crosswise J (Pass) Motion
- Defective Product Separation (Machine Feature Compatibility Support)
- Message Support on the Control Panel
- IMM Door Open Permission during Pause
- Pause during Operation
- C Axis Rotation Control
- 90° Soft Stop
- Connection Adapter between Robot and Injection Machine
- Mode Operation Function Control
- Extra Mold Safety Sensor (Optional)
- Overload Protection
- Conveyor Control
- Multi Language Support
- Operation Record Feature
- Alarm Record Feature
- USB Memory Connection
- Memory of upto 999 Molds
- Ejector Control
- Euromap 12/67 Robot Interface
- Economic Vacuum Feature (Optional)