

MORITECH®



HSPEED
HPERFORMANCE

www.moritech.com.tr

About Us

*While contributing to the sector by production of robots and robotic accessories towards plastics industry, **Moritech Robot** also carries on distributorship of international robot brands successfully.*

***Moritech Robot**, by considering its customers as business partners, offers production solutions on the project basis in order to advance their production potential in the most effective manner possible with the help of high technology .*

MORITECH[®]

www.moritech.com.tr

INDEX

MW SERIES ROBOTS

MW 800II	02 - 03
MW 1000II	04 - 05
MW 1200II	06 - 07
MW 1400II	08 - 09
MW 1800II	10 - 11
MW 2500II	12 - 13

MWH SERIES ROBOTS

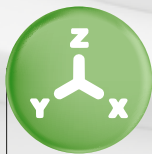
MWH 1800II	14 - 15
MWH 2500II	16 - 17

eMW SERIES ROBOTS

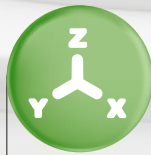
eMW 800	18 - 19
eMW 1000	20 - 21
eMW 1200	22 - 23

MORITECH[®]

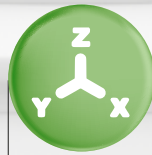
www.moritech.com.tr



Telescopic Vertical Axis



Vertical Axis Balance Cylinder



Manual Central Lubrication



Easy Position (Location) Teaching



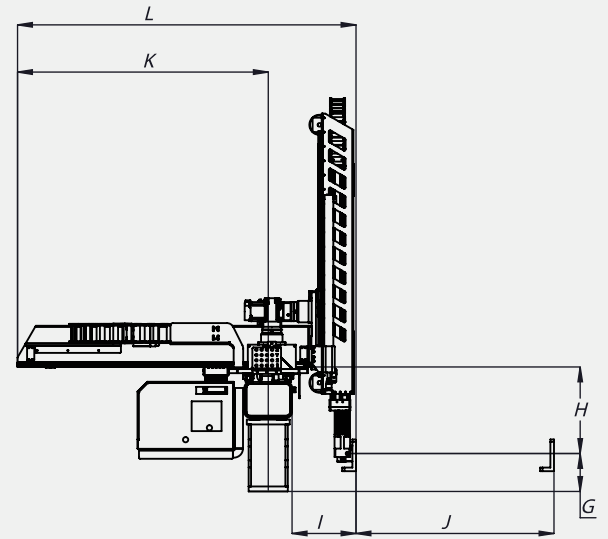
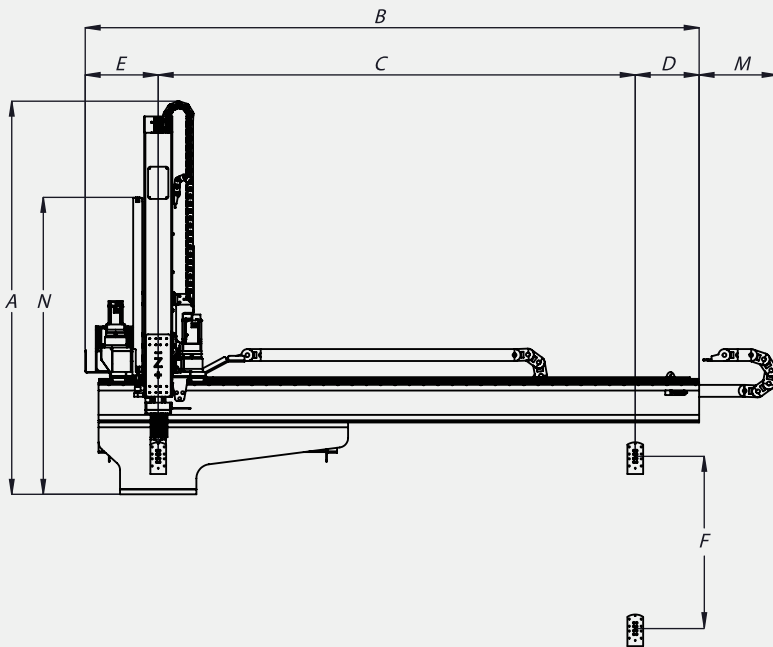
Fast Cycle

► FUNDAMENTAL MECHANICAL SPECIFICATIONS

Model	Axis Strokes (mm)			Injection Clamping Force Range (Ton)	Driving Method	Lineer Position Repeatability (mm)	C Axis Posture ↷ 90°		Net Weight Main Body
	Vertical	Crosswise	Traverse				Maximum Payload (kg)	C Axis Posture Torque (Nm)	
MW800II	800	440	1500	90 - 200	AC Servo Motor	±0.1	(*) 5	35	305

(*) Weight of Robotic Hand is Included.

www.moritech.com.tr



▶ OUTER DIMENSIONS

A	Height	1484
B	Length	2056
C	Traverse Axis Stroke	1500
D	Traverse Axis Stroke Excluded Distance (Product Place Region)	250
E	Traverse Axis Stroke Excluded Distance (Product Pick Up Region)	306
F	Vertical Axis Stroke	800
M	Traverse Axis Cable Carrier Overflow	300
N	Balance Cylinder Height	1045

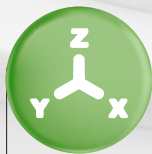
G	Vertical Wait	159
H	Gripper Assembly Position under Crosswise Axis	363
I	Minimum Crosswise Wait	268
J	Maximum Crosswise Stroke	440
I+J	Maximum Crosswise Reach	708
L	Width	1024
K	Crosswise Start Distance	657

Power Supply	Maximum Power (kW)	Air Pressure (Bar)	Air Consumption (NI/Cycle)
Three-phase AC 380V ± %10 (50Hz/60 Hz)	1.9	(*2) 4 - 6	3.5

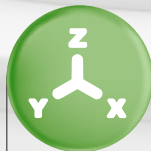
(*2) Need for Pressurized Air Purified (Dried) from Oil and Humidity Exists.

▶ GENERAL FEATURES

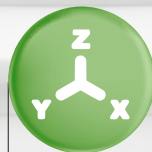
- Vacuum Line
- Blow Line
- Sprue Gripper Line
- Product Pickup from Fixed and Moving Platens
- Selection of Operator / Non-operator Working Direction
- Vacuum Level Adjustment on the Control Panel
- Product Sorting and Stacking
- Product Sorting in Matrix Form
- Soft Sorting / Separation
- Y Axis Free
- Eco Mode (Automatic Energy Saving Cycle Feature)
- Product Extraction from Core in the Mold
- Sprue Separation
- Sample Separation
- Crosswise J (Pass) Motion
- Defective Product Separation (Machine Feature Compatibility Support)
- Turkish and English Message Support on the Control Panel
- IMM Door Open Permission during Pause
- Pause during Operation
- C Axis Rotation Control
- 90° Soft Stop
- Connection Adapter between Robot and Injection Machine
- Mode Operation Function Control
- Extra Mold Safety Sensor (Optional)
- Overload Protection
- Conveyor Control
- Multi Language Support
- Operation Record Feature
- Alarm Record Feature
- USB Memory Connection
- Memory of upto 999 Molds
- Ejector Control
- Euromap 12/67 Robot Interface
- Economic Vacuum Feature (Optional)



Telescopic
Vertical
Axis



Vertical Axis
Balance
Cylinder



Manual
Central
Lubrication



Easy Position
(Location)
Teaching



Fast
Cycle

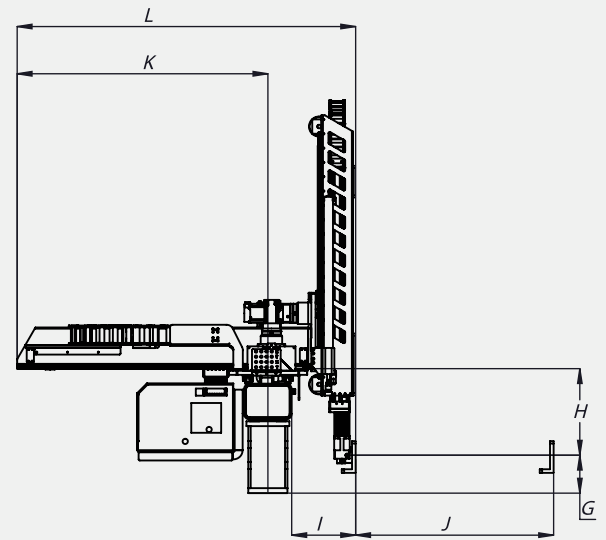
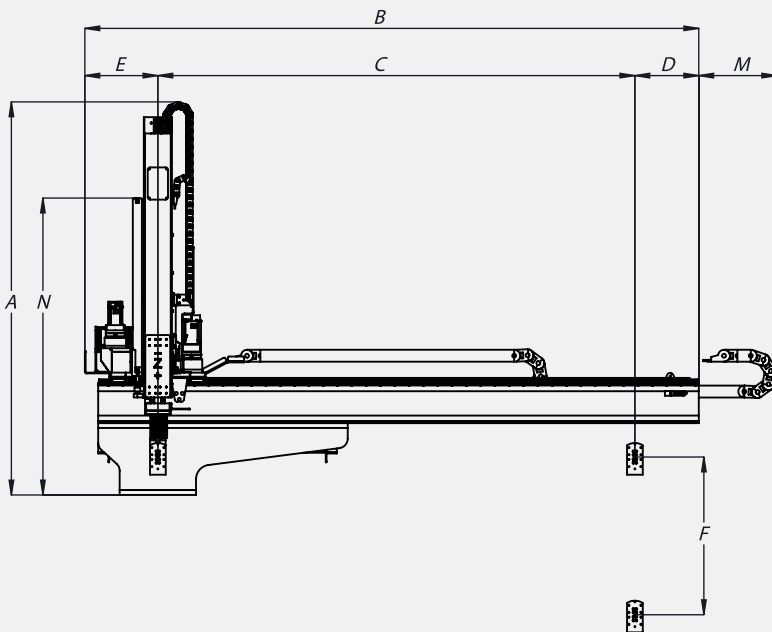
► FUNDAMENTAL MECHANICAL SPECIFICATIONS

Model	Axis Strokes (mm)			Injection Clamping Force Range (Ton)	Driving Method	Lineer Position Repeatability (mm)	C Axis Posture ↷ 90°		Net Weight Main Body
	Vertical	Crosswise	Traverse				Maximum Payload (kg)	C Axis Posture Torque (Nm)	
MW1000II	1000 [1200]	660	1500 [1800] [2000]	150 - 300	AC Servo Motor	±0.1	(*) 5	35	322 [325] - [345] [349]

(*) Weight of Robotic Hand is Included.

([*]) Optional Dimensions.

www.moritech.com.tr



▶ OUTER DIMENSIONS

A	Height	1560 - [1684]
B	Length	2056 [2356] [2556]
C	Traverse Axis Stroke	1500 [1800] [2000]
D	Traverse Axis Stroke Excluded Distance (Product Place Region)	250
E	Traverse Axis Stroke Excluded Distance (Product Pick Up Region)	306
F	Vertical Axis Stroke	1000 - [1200]
M	Traverse Axis Cable Carrier Overflow	300
N	Balance Cylinder Height	1145 - [1245]

G	Vertical Wait	159
H	Gripper Assembly Position under Crosswise Axis	363
I	Minimum Crosswise Wait	268
J	Maximum Crosswise Stroke	660
I+J	Maximum Crosswise Reach	928
L	Width	1246
K	Crosswise Start Distance	884

Power Supply	Maximum Power (kW)	Air Pressure (Bar)	Air Consumption (NI/Cycle)
Three-phase AC 380V ± %10 (50Hz/60 Hz)	1.9	(*2) 4 - 6	3.5

(*2) Need for Pressurized Air Purified (Dried) from Oil and Humidity Exists.

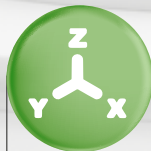
(*[1]) Optional Dimensions.

▶ GENERAL FEATURES

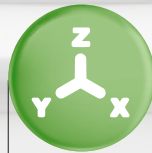
- Vacuum Line
- Blow Line
- Sprue Gripper Line
- Product Pickup from Fixed and Moving Platens
- Selection of Operator / Non-operator Working Direction
- Vacuum Level Adjustment on the Control Panel
- Product Sorting and Stacking
- Product Sorting in Matrix Form
- Soft Sorting / Separation
- Y Axis Free
- Eco Mode (Automatic Energy Saving Cycle Feature)
- Product Extraction from Core in the Mold
- Sprue Separation
- Sample Separation
- Crosswise J (Pass) Motion
- Defective Product Separation (Machine Feature Compatibility Support)
- Turkish and English Message Support on the Control Panel
- IMM Door Open Permission during Pause
- Pause during Operation
- C Axis Rotation Control
- 90° Soft Stop
- Connection Adapter between Robot and Injection Machine
- Mode Operation Function Control
- Extra Mold Safety Sensor (Optional)
- Overload Protection
- Conveyor Control
- Multi Language Support
- Operation Record Feature
- Alarm Record Feature
- USB Memory Connection
- Memory of upto 999 Molds
- Ejector Control
- Euromap 12/67 Robot Interface
- Economic Vacuum Feature (Optional)



Telescopic Vertical Axis



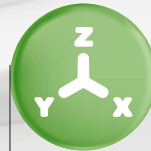
Vertical Axis Balance Cylinder



Manual Central Lubrication



Easy Position (Location) Teaching



Fast Cycle

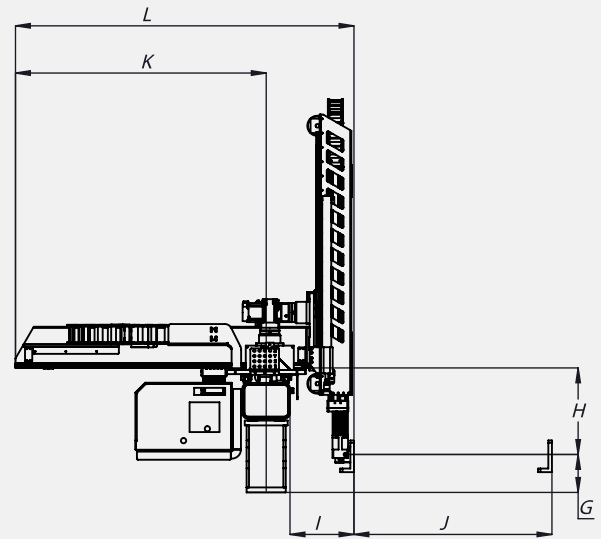
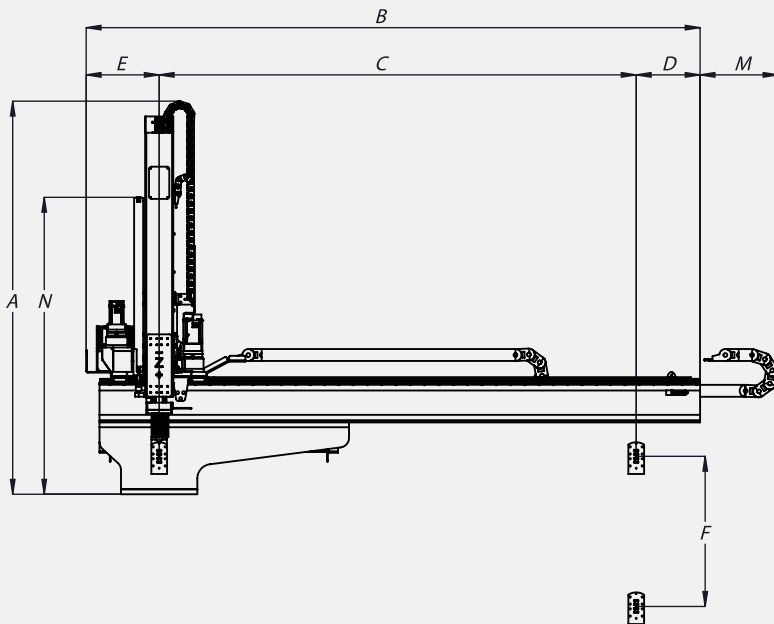
FUNDAMENTAL MECHANICAL SPECIFICATIONS

Model	Axis Strokes (mm)			Injection Clamping Force Range (Ton)	Driving Method	Lineer Position Repeatability (mm)	C Axis Posture ↷ 90°		Net Weight Main Body
	Vertical	Crosswise	Traverse				Maximum Payload (kg)	C Axis Posture Torque (Nm)	
MW1200II	1200 [1400]	830	2000 [2500]	250 - 400	AC Servo Motor	±0.1	(*) 10	35	386 [392] - [433] [436]

(*) Weight of Robotic Hand is Included.

([*]) Optional Dimensions.

www.moritech.com.tr



► OUTER DIMENSIONS

A	Height	1684 - [1810]
B	Length	2576 - [3056]
C	Traverse Axis Stroke	2000 - [2500]
D	Traverse Axis Stroke Excluded Distance (Product Place Region)	270
E	Traverse Axis Stroke Excluded Distance (Product Pick Up Region)	306
F	Vertical Axis Stroke	1200 - [1400]
M	Traverse Axis Cable Carrier Overflow	300
N	Balance Cylinder Height	1245 - [1345]

G	Vertical Wait	159
H	Gripper Assembly Position under Crosswise Axis	363
I	Minimum Crosswise Wait	268
J	Maximum Crosswise Stroke	830
I+J	Maximum Crosswise Reach	1098
L	Width	1420
K	Crosswise Start Distance	1051

Power Supply	Maximum Power (kW)	Air Pressure (Bar)	Air Consumption (NI/Cycle)
Three-phase AC 380V ± %10 (50Hz/60 Hz)	1.9	(*2) 4 - 6	4.4

(*2) Need for Pressurized Air Purified (Dried) from Oil and Humidity Exists.

(*[1]) Optional Dimensions.

► GENERAL FEATURES

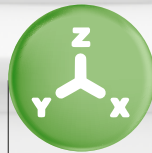
- Vacuum Line
- Blow Line
- Sprue Gripper Line
- Product Pickup from Fixed and Moving Platens
- Selection of Operator / Non-operator Working Direction
- Vacuum Level Adjustment on the Control Panel
- Product Sorting and Stacking
- Product Sorting in Matrix Form
- Soft Sorting / Separation
- Y Axis Free
- Eco Mode (Automatic Energy Saving Cycle Feature)
- Product Extraction from Core in the Mold
- Sprue Separation
- Sample Separation
- Crosswise J (Pass) Motion
- Defective Product Separation (Machine Feature Compatibility Support)
- Turkish and English Message Support on the Control Panel
- IMM Door Open Permission during Pause
- Pause during Operation
- C Axis Rotation Control
- 90° Soft Stop
- Connection Adapter between Robot and Injection Machine
- Mode Operation Function Control
- Extra Mold Safety Sensor (Optional)
- Overload Protection
- Conveyor Control
- Multi Language Support
- Operation Record Feature
- Alarm Record Feature
- USB Memory Connection
- Memory of upto 999 Molds
- Ejector Control
- Euromap 12/67 Robot Interface
- Economic Vacuum Feature (Optional)



Telescopic Vertical Axis



Vertical Axis Balance Cylinder



Manual Central Lubrication



Easy Position (Location) Teaching



Fast Cycle

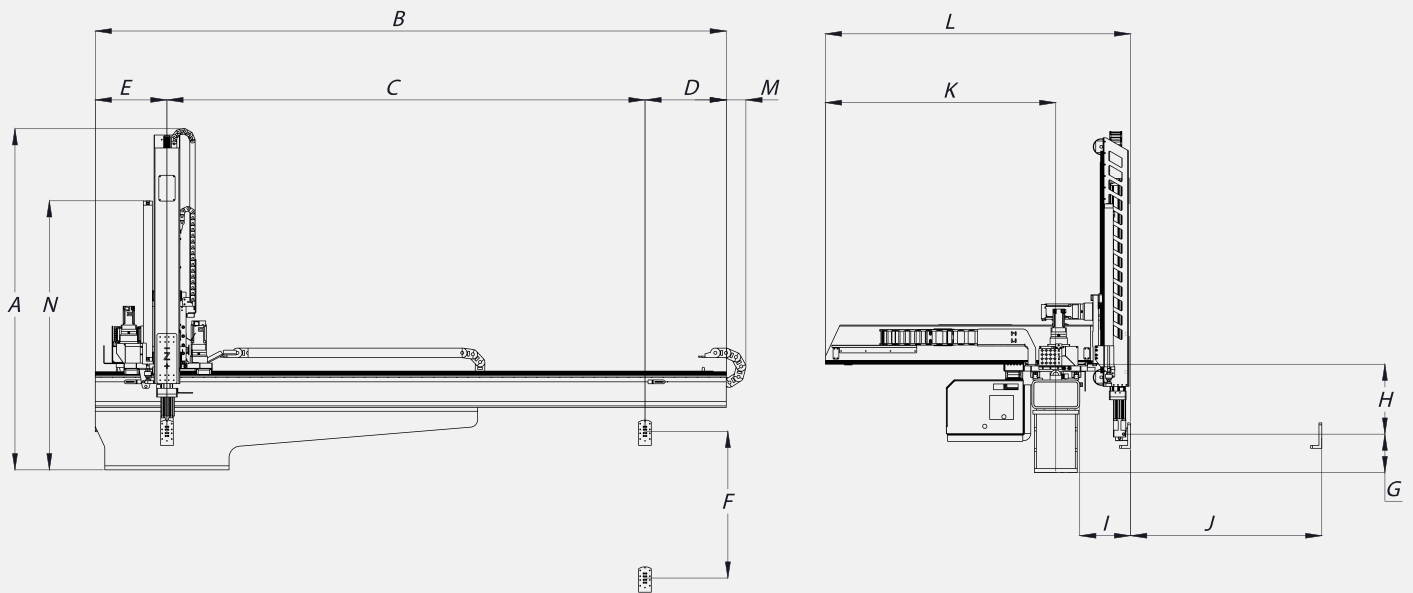
► FUNDAMENTAL MECHANICAL SPECIFICATIONS

Model	Axis Strokes (mm)			Injection Clamping Force Range (Ton)	Driving Method	Lineer Position Repeatability (mm)	C Axis Posture ↷ 90°		Net Weight Main Body
	Vertical	Crosswise	Traverse				Maximum Payload (kg)	C Axis Posture Torque (Nm)	
MW1400II	1400 [1600]	1000	2500 [3000]	400 - 650	AC Servo Motor	±0.1	(*) 15	35 [70]	634 [646] - [665] [674]

(*) Weight of Robotic Hand is Included.

(*[]) Optional Dimensions.

www.moritech.com.tr



▶ OUTER DIMENSIONS

A	Height	1851 - [1951]
B	Length	3300 - [3800]
C	Traverse Axis Stroke	2500 - [3000]
D	Traverse Axis Stroke Excluded Distance (Product Place Region)	425
E	Traverse Axis Stroke Excluded Distance (Product Pick Up Region)	375
F	Vertical Axis Stroke	1400 - [1600]
M	Traverse Axis Cable Carrier Overflow	100
N	Balance Cylinder Height	1407 - [1507]

G	Vertical Wait	200
H	Gripper Assembly Position under Crosswise Axis	366
I	Minimum Crosswise Wait	266
J	Maximum Crosswise Stroke	1000
I+J	Maximum Crosswise Reach	1266
L	Width	1600
K	Crosswise Start Distance	1205

Power Supply	Maximum Power (kW)	Air Pressure (Bar)	Air Consumption (NI/Cycle)
Three-phase AC 380V ± %10 (50Hz/60 Hz)	1.9	(*2) 4 - 6	13.0 [26.0]

(*2) Need for Pressurized Air Purified (Dried) from Oil and Humidity Exists.

(*[1]) Optional Dimensions.

▶ GENERAL FEATURES

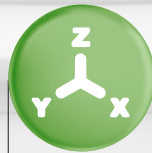
- Vacuum Line
- Blow Line
- Sprue Gripper Line
- Product Pickup from Fixed and Moving Platens
- Selection of Operator / Non-operator Working Direction
- Vacuum Level Adjustment on the Control Panel
- Product Sorting and Stacking
- Product Sorting in Matrix Form
- Soft Sorting / Separation
- Y Axis Free
- Eco Mode (Automatic Energy Saving Cycle Feature)
- Product Extraction from Core in the Mold
- Sprue Separation
- Sample Separation
- Crosswise J (Pass) Motion
- Defective Product Separation (Machine Feature Compatibility Support)
- Turkish and English Message Support on the Control Panel
- IMM Door Open Permission during Pause
- Pause during Operation
- C Axis Rotation Control
- 90° Soft Stop
- Connection Adapter between Robot and Injection Machine
- Mode Operation Function Control
- Extra Mold Safety Sensor (Optional)
- Overload Protection
- Conveyor Control
- Multi Language Support
- Operation Record Feature
- Alarm Record Feature
- USB Memory Connection
- Memory of upto 999 Molds
- Ejector Control
- Euromap 12/67 Robot Interface
- Economic Vacuum Feature (Optional)



Telescopic Vertical Axis



Vertical Axis Balance Cylinder



Manual Central Lubrication



Easy Position (Location) Teaching



Fast Cycle

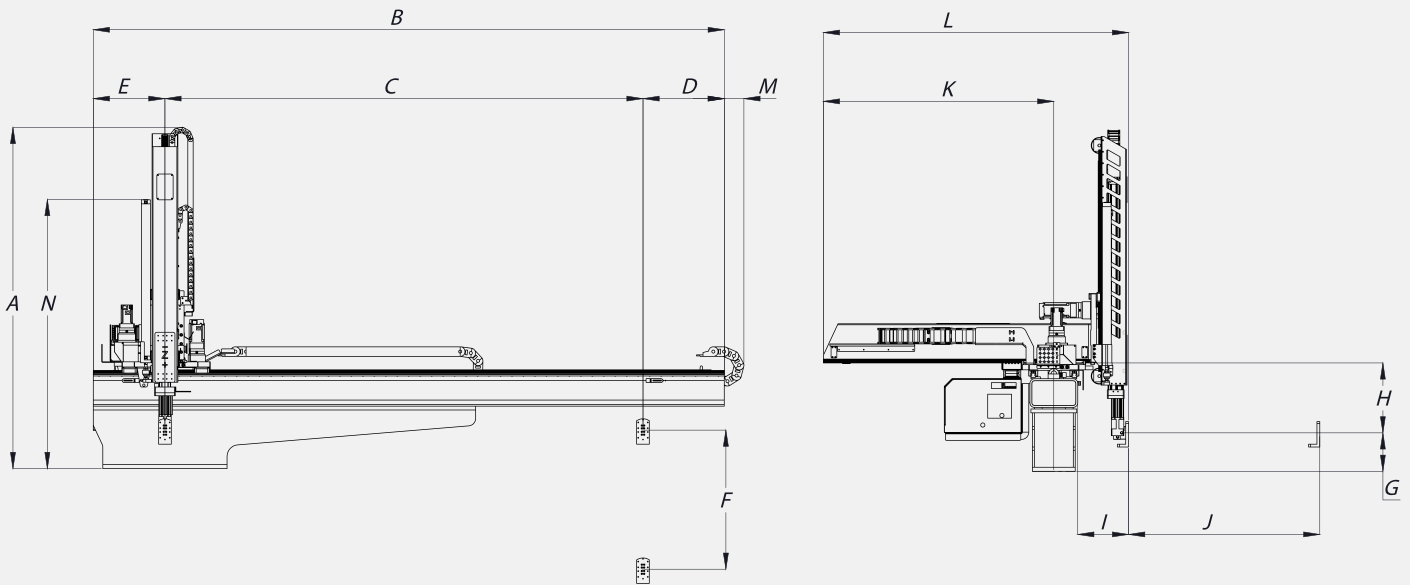
FUNDAMENTAL MECHANICAL SPECIFICATIONS

Model	Axis Strokes (mm)			Injection Clamping Force Range (Ton)	Driving Method	Lineer Position Repeatability (mm)	C Axis Posture ↷ 90°		Net Weight Main Body
	Vertical	Crosswise	Traverse				Maximum Payload (kg)	C Axis Posture Torque (Nm)	
MW1800II	1800	1300	2500 [3000]	650 - 1300	AC Servo Motor	±0.1	(*) 25	35 [70]	656 [690]

(*) Weight of Robotic Hand is Included.

(*[]) Optional Dimensions.

www.moritech.com.tr



▶ OUTER DIMENSIONS

A	Height	2060
B	Length	3300 - [3800]
C	Traverse Axis Stroke	2500 - [3000]
D	Traverse Axis Stroke Excluded Distance (Product Place Region)	425
E	Traverse Axis Stroke Excluded Distance (Product Pick Up Region)	375
F	Vertical Axis Stroke	1800
M	Traverse Axis Cable Carrier Overflow	100
N	Balance Cylinder Height	1607

G	Vertical Wait	200
H	Gripper Assembly Position under Crosswise Axis	366
I	Minimum Crosswise Wait	266
J	Maximum Crosswise Stroke	1300
I+J	Maximum Crosswise Reach	1566
L	Width	1900
K	Crosswise Start Distance	1503

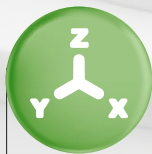
Power Supply	Maximum Power (kW)	Air Pressure (Bar)	Air Consumption (NI/Cycle)
Three-phase AC 380V ± %10 (50Hz/60 Hz)	1.9	(*2) 4 - 6	13.0 [26.0]

(*2) Need for Pressurized Air Purified (Dried) from Oil and Humidity Exists.

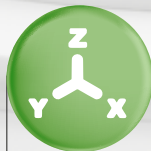
(*[1]) Optional Dimensions.

▶ GENERAL FEATURES

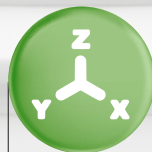
- Vacuum Line
- Blow Line
- Sprue Gripper Line
- Product Pickup from Fixed and Moving Platens
- Selection of Operator / Non-operator Working Direction
- Vacuum Level Adjustment on the Control Panel
- Product Sorting and Stacking
- Product Sorting in Matrix Form
- Soft Sorting / Separation
- Y Axis Free
- Eco Mode (Automatic Energy Saving Cycle Feature)
- Product Extraction from Core in the Mold
- Sprue Separation
- Sample Separation
- Crosswise J (Pass) Motion
- Defective Product Separation (Machine Feature Compatibility Support)
- Turkish and English Message Support on the Control Panel
- IMM Door Open Permission during Pause
- Pause during Operation
- C Axis Rotation Control
- 90° Soft Stop
- Connection Adapter between Robot and Injection Machine
- Mode Operation Function Control
- Extra Mold Safety Sensor (Optional)
- Overload Protection
- Conveyor Control
- Multi Language Support
- Operation Record Feature
- Alarm Record Feature
- USB Memory Connection
- Memory of upto 999 Molds
- Ejector Control
- Euromap 12/67 Robot Interface
- Economic Vacuum Feature (Optional)



Telescopic Vertical Axis



Vertical Axis Balance Cylinder



Manual Central Lubrication



Easy Position (Location) Teaching



Fast Cycle

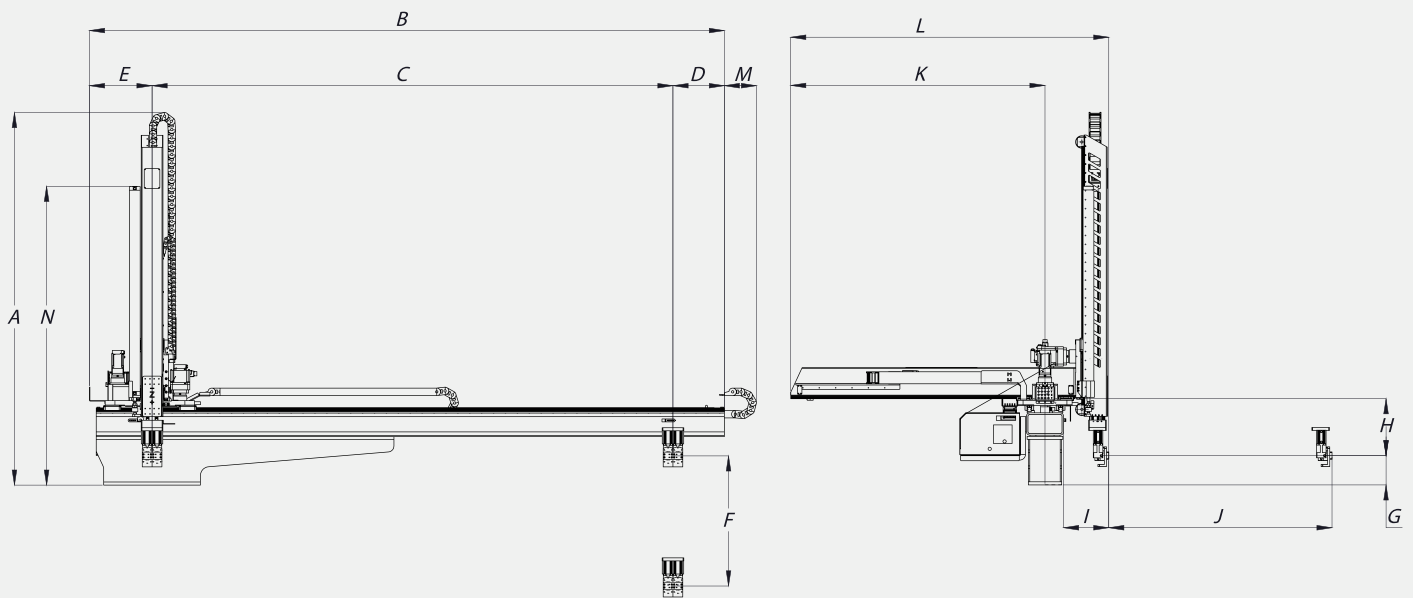
► FUNDAMENTAL MECHANICAL SPECIFICATIONS

Model	Axis Strokes (mm)			Injection Clamping Force Range (Ton)	Driving Method	Lineer Position Repeatability (mm)	C Axis Posture ↷ 90°		Net Weight
	Vertical	Crosswise	Traverse				Maximum Payload (kg)	C Axis Posture Torque (Nm)	
MW2500II	2500	1500	3500 [4500]	1000 - 2800	AC Servo Motor	±0.1	(*) 35	70	795 [846]

(*) Weight of Robotic Hand is Included.

([*]) Optional Dimensions.

www.moritech.com.tr



▶ OUTER DIMENSIONS

A	Height	2450
B	Length	4265 - [5265]
C	Traverse Axis Stroke	3500 - [4500]
D	Traverse Axis Stroke Excluded Distance (Product Place Region)	345
E	Traverse Axis Stroke Excluded Distance (Product Pick Up Region)	420
F	Vertical Axis Stroke	2500
M	Traverse Axis Cable Carrier Overflow	215
N	Balance Cylinder Height	2007

G	Vertical Wait	195
H	Gripper Assembly Position under Crosswise Axis	383
I	Minimum Crosswise Wait	303
J	Maximum Crosswise Stroke	1500
I+J	Maximum Crosswise Reach	1803
L	Width	2140
K	Crosswise Start Distance	1708

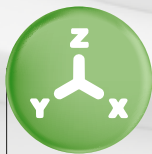
Power Supply	Maximum Power (kW)	Air Pressure (Bar)	Air Consumption (NI/Cycle)
Three-phase AC 380V ± %10 (50Hz/60 Hz)	3.3	(*2) 4 - 6	26.0

(*2) Need for Pressurized Air Purified (Dried) from Oil and Humidity Exists.

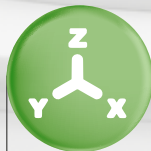
(*[1]) Optional Dimensions.

▶ GENERAL FEATURES

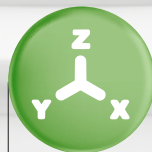
- Vacuum Line
- Blow Line
- Sprue Gripper Line
- Product Pickup from Fixed and Moving Platens
- Selection of Operator / Non-operator Working Direction
- Vacuum Level Adjustment on the Control Panel
- Product Sorting and Stacking
- Product Sorting in Matrix Form
- Soft Sorting / Separation
- Y Axis Free
- Eco Mode (Automatic Energy Saving Cycle Feature)
- Product Extraction from Core in the Mold
- Sprue Separation
- Sample Separation
- Crosswise J (Pass) Motion
- Defective Product Separation (Machine Feature Compatibility Support)
- Turkish and English Message Support on the Control Panel
- IMM Door Open Permission during Pause
- Pause during Operation
- C Axis Rotation Control
- 90° Soft Stop
- Connection Adapter between Robot and Injection Machine
- Mode Operation Function Control
- Extra Mold Safety Sensor (Optional)
- Overload Protection
- Conveyor Control
- Multi Language Support
- Operation Record Feature
- Alarm Record Feature
- USB Memory Connection
- Memory of upto 999 Molds
- Ejector Control
- Euromap 12/67 Robot Interface
- Economic Vacuum Feature (Optional)



Telescopic Vertical Axis



Vertical Axis Balance Cylinder



Manual Central Lubrication



Easy Position (Location) Teaching



Extra Strong

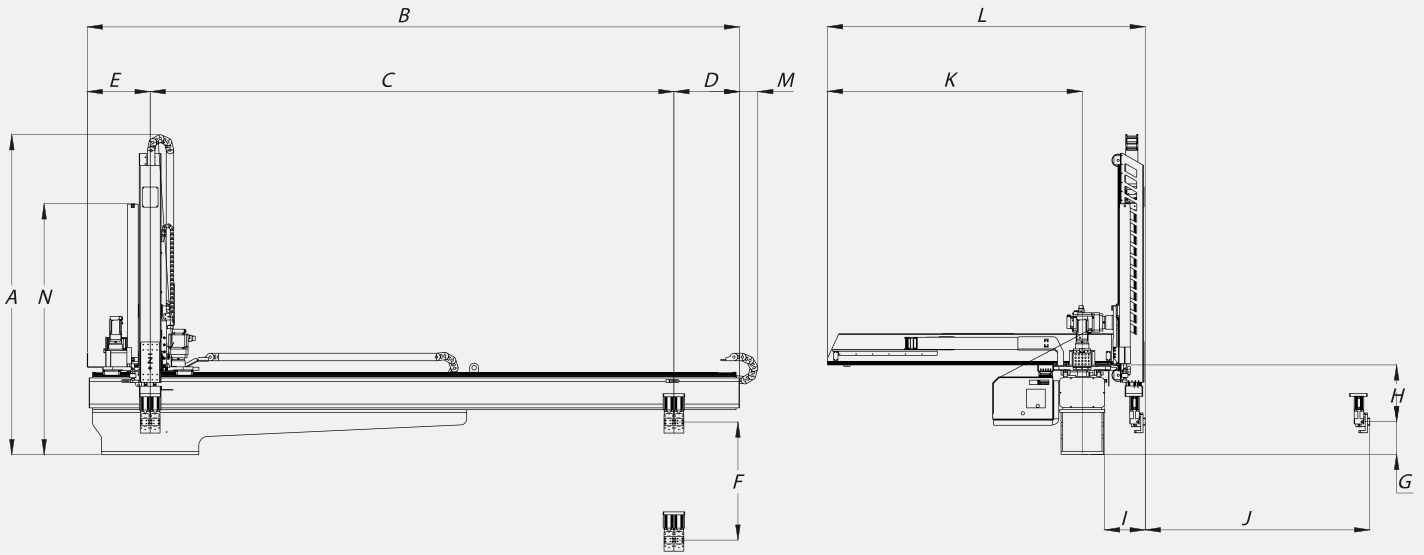
FUNDAMENTAL MECHANICAL SPECIFICATIONS

Model	Axis Strokes (mm)			Injection Clamping Force Range (Ton)	Driving Method	Lineer Position Repeatability (mm)	C Axis Posture ↷ 90°		Net Weight Main Body
	Vertical	Crosswise	Traverse				Maximum Payload (kg)	C Axis Posture Torque (Nm)	
MWH1800II	1800 [2500]	1500	3500	1000 - 2800	AC Servo Motor	±0.1	(*) 45	70	1254 [1265]

(*) Weight of Robotic Hand is Included.

(*[]) Optional Dimensions.

www.moritech.com.tr



▶ OUTER DIMENSIONS

A	Height	2140 - [2490]
B	Length	4360
C	Traverse Axis Stroke	3500
D	Traverse Axis Stroke Excluded Distance (Product Place Region)	440
E	Traverse Axis Stroke Excluded Distance (Product Pick Up Region)	420
F	Vertical Axis Stroke	1800 - [2500]
M	Traverse Axis Cable Carrier Overflow	125
N	Balance Cylinder Height	1676 - [2026]

G	Vertical Wait	220
H	Gripper Assembly Position under Crosswise Axis	380
I	Minimum Crosswise Wait	272
J	Maximum Crosswise Stroke	1500
I+J	Maximum Crosswise Reach	1772
L	Width	2125
K	Crosswise Start Distance	1703

Power Supply	Maximum Power (kW)	Air Pressure (Bar)	Air Consumption (NI/Cycle)
Three-phase AC 380V ± %10 (50Hz/60 Hz)	3.3	(*2) 4 - 6	26.0

(*2) Need for Pressurized Air Purified (Dried) from Oil and Humidity Exists.

(*[1]) Optional Dimensions.

▶ GENERAL FEATURES

- Vacuum Line
- Blow Line
- Sprue Gripper Line
- Product Pickup from Fixed and Moving Platens
- Selection of Operator / Non-operator Working Direction
- Vacuum Level Adjustment on the Control Panel
- Product Sorting and Stacking
- Product Sorting in Matrix Form
- Soft Sorting / Separation
- Y Axis Free
- Eco Mode (Automatic Energy Saving Cycle Feature)
- Product Extraction from Core in the Mold
- Sprue Separation
- Sample Separation
- Crosswise J (Pass) Motion
- Defective Product Separation (Machine Feature Compatibility Support)
- Turkish and English Message Support on the Control Panel
- IMM Door Open Permission during Pause
- Pause during Operation
- C Axis Rotation Control
- 90° Soft Stop
- Connection Adapter between Robot and Injection Machine
- Mode Operation Function Control
- Extra Mold Safety Sensor (Optional)
- Overload Protection
- Conveyor Control
- Multi Language Support
- Operation Record Feature
- Alarm Record Feature
- USB Memory Connection
- Memory of upto 999 Molds
- Ejector Control
- Euromap 12/67 Robot Interface
- Economic Vacuum Feature (Optional)



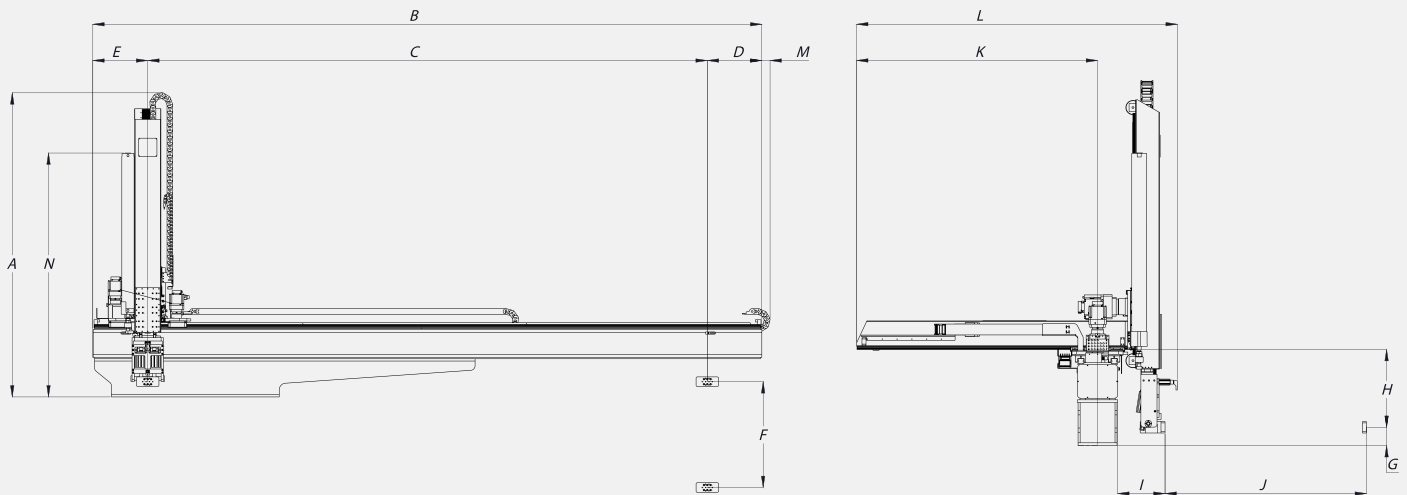
► FUNDAMENTAL MECHANICAL SPECIFICATIONS

Model	Axis Strokes (mm)			Injection Clamping Force Range (Ton)	Driving Method	Lineer Position Repeatability (mm)	C Axis Posture ↷ 90°		Net Weight
	Vertical	Crosswise	Traverse				Maximum Payload (kg)	C Axis Posture Torque (Nm)	
MW2500II	2500 [3000]	1500	5000 [4500] [3500]	1300 - 2800	AC Servo Motor	±0.1	(*) 60	535	2015 - [2215] [1895] - [2095] [1715] - [1915]

(*) Weight of Robotic Hand is Included.

([*]) Optional Dimensions.

www.moritech.com.tr



▶ OUTER DIMENSIONS

A	Height	2710 - [2960]
B	Length	5980 [5480] [4480]
C	Traverse Axis Stroke	5000 [3500] [4500]
D	Traverse Axis Stroke Excluded Distance (Product Place Region)	490
E	Traverse Axis Stroke Excluded Distance (Product Pick Up Region)	490
F	Vertical Axis Stroke	2500 - [3000]
M	Traverse Axis Cable Carrier Overflow	75
N	Balance Cylinder Height	2180 - [2430]

G	Vertical Wait	115
H	Gripper Assembly Position under Crosswise Axis	600
I	Minimum Crosswise Wait	355
J	Maximum Crosswise Stroke	1500
I+J	Maximum Crosswise Reach	1855
L	Width	2390
K	Crosswise Start Distance	1795

Power Supply	Maximum Power (kW)	Air Pressure (Bar)	Air Consumption (NI/Cycle)
Three-phase AC 380V ± %10 (50Hz/60 Hz)	4.1	(*2) 4 - 6	195.0

(*2) Need for Pressurized Air Purified (Dried) from Oil and Humidity Exists.

(*[1]) Optional Dimensions.

▶ GENERAL FEATURES

- Vacuum Line
- Blow Line
- Sprue Gripper Line
- Product Pickup from Fixed and Moving Platens
- Selection of Operator / Non-operator Working Direction
- Vacuum Level Adjustment on the Control Panel
- Product Sorting and Stacking
- Product Sorting in Matrix Form
- Soft Sorting / Separation
- Y Axis Free
- Eco Mode (Automatic Energy Saving Cycle Feature)
- Product Extraction from Core in the Mold
- Sprue Separation
- Sample Separation
- Crosswise J (Pass) Motion
- Defective Product Separation (Machine Feature Compatibility Support)
- Turkish and English Message Support on the Control Panel
- IMM Door Open Permission during Pause
- Pause during Operation
- C Axis Rotation Control
- 90° Soft Stop
- Connection Adapter between Robot and Injection Machine
- Mode Operation Function Control
- Extra Mold Safety Sensor (Optional)
- Overload Protection
- Conveyor Control
- Multi Language Support
- Operation Record Feature
- Alarm Record Feature
- USB Memory Connection
- Memory of upto 999 Molds
- Ejector Control
- Euromap 12/67 Robot Interface
- Economic Vacuum Feature (Optional)



Easy Position
(Location)
Teaching



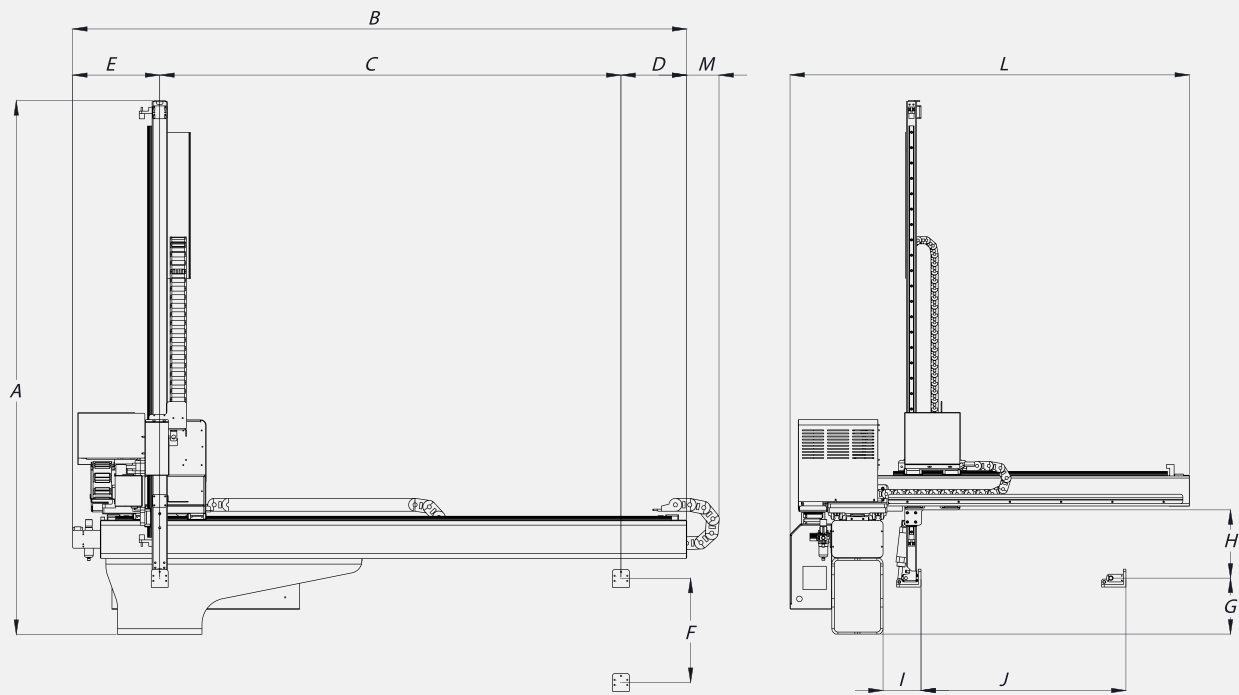
Compact
Design

► FUNDAMENTAL MECHANICAL SPECIFICATIONS

Model	Axis Strokes (mm)			Injection Clamping Force Range (Ton)	Driving Method	Lineer Position Repeatability (mm)	C Axis Posture ↷ 90°		Net Weight Main Body
	Vertical	Crosswise	Traverse				Maximum Payload (kg)	C Axis Posture Torque (Nm)	
eMW800	800	450	1200	50 - 150	AC Servo Motor	±0.1	(*) 3	25	260

(*) Weight of Robotic Hand is Included.

www.moritech.com.tr



▶ OUTER DIMENSIONS

A	Height	1685
B	Length	1800
C	Traverse Axis Stroke	1200
D	Traverse Axis Stroke Excluded Distance (Product Place Region)	260
E	Traverse Axis Stroke Excluded Distance (Product Pick Up Region)	340
F	Vertical Axis Stroke	800
M	Traverse Axis Cable Carrier Overflow	130

G	Vertical Wait	215
H	Gripper Assembly Position under Crosswise Axis	265
I	Minimum Crosswise Wait	150
J	Maximum Crosswise Stroke	450
I+J	Maximum Crosswise Reach	600
L	Width	1210

Power Supply	Maximum Power (kW)	Air Pressure (Bar)	Air Consumption (NI/Cycle)
Three-phase AC 380V ± %10 (50Hz/60 Hz)	1.3	(*2) 4 - 6	2.5

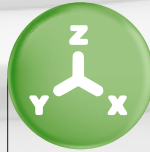
(*2) Need for Pressurized Air Purified (Dried) from Oil and Humidity Exists.

▶ GENERAL FEATURES

- Vacuum Line
- Blow Line
- Sprue Gripper Line
- Product Pickup from Fixed and Moving Platens
- Selection of Operator / Non-operator Working Direction
- Vacuum Level Adjustment on the Control Panel
- Product Sorting and Stacking
- Product Sorting in Matrix Form
- Soft Sorting / Separation
- Y Axis Free
- Eco Mode (Automatic Energy Saving Cycle Feature)
- Product Extraction from Core in the Mold
- Sprue Separation
- Sample Separation
- Crosswise J (Pass) Motion
- Defective Product Separation (Machine Feature Compatibility Support)
- Turkish and English Message Support on the Control Panel
- IMM Door Open Permission during Pause
- Pause during Operation
- C Axis Rotation Control
- 90° Soft Stop
- Connection Adapter between Robot and Injection Machine
- Mode Operation Function Control
- Extra Mold Safety Sensor (Optional)
- Overload Protection
- Conveyor Control
- Multi Language Support
- Operation Record Feature
- Alarm Record Feature
- USB Memory Connection
- Memory of upto 50 Molds
- Ejector Control
- Euromap 12/67 Robot Interface
- Economic Vacuum Feature (Optional)



Easy Position
(Location)
Teaching



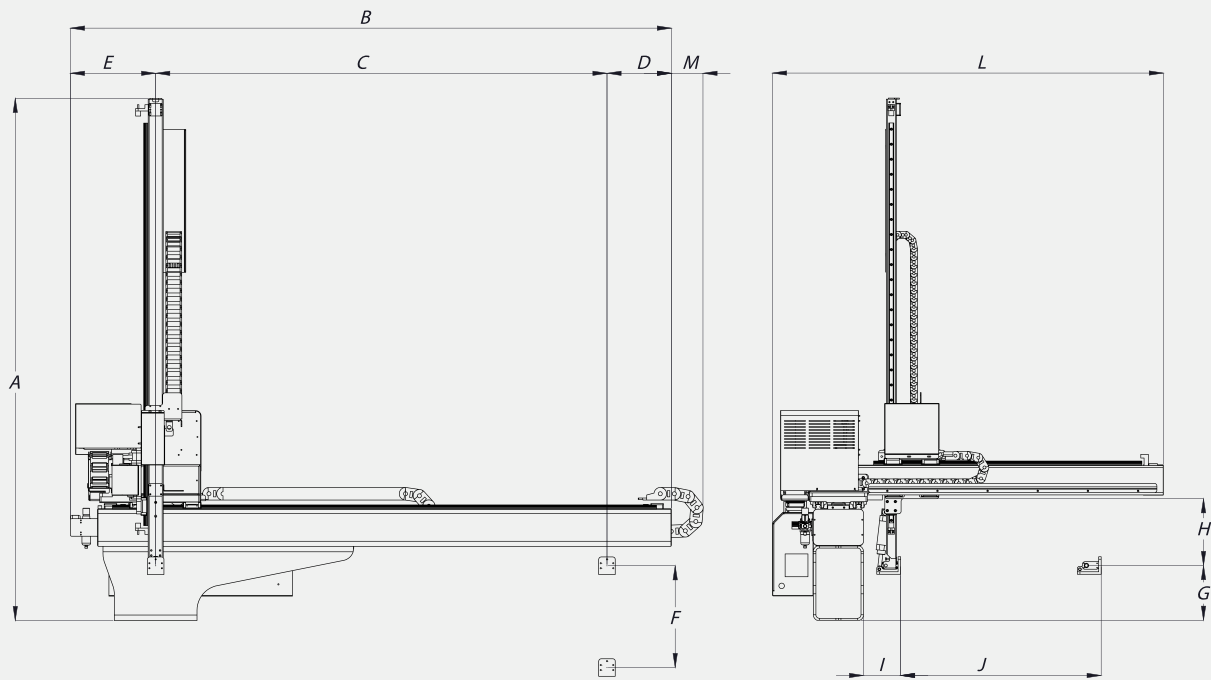
Compact
Design

► FUNDAMENTAL MECHANICAL SPECIFICATIONS

Model	Axis Strokes (mm)			Injection Clamping Force Range (Ton)	Driving Method	Lineer Position Repeatability (mm)	C Axis Posture ↷ 90°		Net Weight Main Body
	Vertical	Crosswise	Traverse				Maximum Payload (kg)	C Axis Posture Torque (Nm)	
eMW1000	1000	660	1500	100 - 380	AC Servo Motor	±0.1	(*) 6	25	280

(*) Weight of Robotic Hand is Included.

www.moritech.com.tr



► OUTER DIMENSIONS

A	Height	1885
B	Length	2100
C	Traverse Axis Stroke	1500
D	Traverse Axis Stroke Excluded Distance (Product Place Region)	260
E	Traverse Axis Stroke Excluded Distance (Product Pick Up Region)	340
F	Vertical Axis Stroke	1000
M	Traverse Axis Cable Carrier Overflow	130

G	Vertical Wait	215
H	Gripper Assembly Position under Crosswise Axis	265
I	Minimum Crosswise Wait	150
J	Maximum Crosswise Stroke	660
I+J	Maximum Crosswise Reach	810
L	Width	1420

Power Supply	Maximum Power (kW)	Air Pressure (Bar)	Air Consumption (NI/Cycle)
Three-phase AC 380V ± %10 (50Hz/60 Hz)	1.3	(*2) 4 - 6	3.5

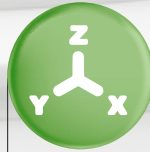
(*2) Need for Pressurized Air Purified (Dried) from Oil and Humidity Exists.

► GENERAL FEATURES

- Vacuum Line
- Blow Line
- Sprue Gripper Line
- Product Pickup from Fixed and Moving Platens
- Selection of Operator / Non-operator Working Direction
- Vacuum Level Adjustment on the Control Panel
- Product Sorting and Stacking
- Product Sorting in Matrix Form
- Soft Sorting / Separation
- Y Axis Free
- Eco Mode (Automatic Energy Saving Cycle Feature)
- Product Extraction from Core in the Mold
- Sprue Separation
- Sample Separation
- Crosswise J (Pass) Motion
- Defective Product Separation (Machine Feature Compatibility Support)
- Turkish and English Message Support on the Control Panel
- IMM Door Open Permission during Pause
- Pause during Operation
- C Axis Rotation Control
- 90° Soft Stop
- Connection Adapter between Robot and Injection Machine
- Mode Operation Function Control
- Extra Mold Safety Sensor (Optional)
- Overload Protection
- Conveyor Control
- Multi Language Support
- Operation Record Feature
- Alarm Record Feature
- USB Memory Connection
- Memory of upto 50 Molds
- Ejector Control
- Euromap 12/67 Robot Interface
- Economic Vacuum Feature (Optional)



Easy Position
(Location)
Teaching



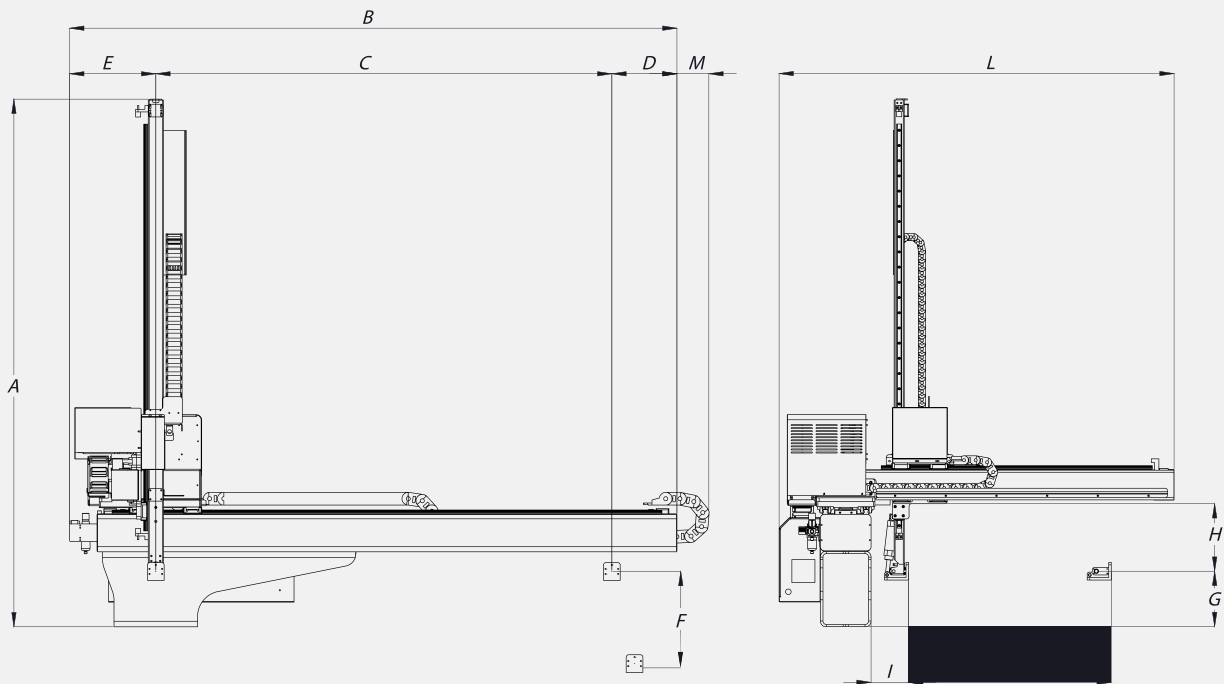
Compact
Design

FUNDAMENTAL MECHANICAL SPECIFICATIONS

Model	Axis Strokes (mm)			Injection Clamping Force Range (Ton)	Driving Method	Lineer Position Repeatability (mm)	C Axis Posture ↷ 90°		Net Weight Main Body
	Vertical	Crosswise	Traverse				Maximum Payload (kg)	C Axis Posture Torque (Nm)	
eMW1200	1200	800	1800	300 - 660	AC Servo Motor	±0.1	(*) 12	25	310

(*) Weight of Robotic Hand is Included.

www.moritech.com.tr



▶ OUTER DIMENSIONS

A	Height	2085
B	Length	2400
C	Traverse Axis Stroke	1800
D	Traverse Axis Stroke Excluded Distance (Product Place Region)	260
E	Traverse Axis Stroke Excluded Distance (Product Pick Up Region)	340
F	Vertical Axis Stroke	1200
M	Traverse Axis Cable Carrier Overflow	130

G	Vertical Wait	215
H	Gripper Assembly Position under Crosswise Axis	265
I	Minimum Crosswise Wait	150
J	Maximum Crosswise Stroke	800
I+J	Maximum Crosswise Reach	950
L	Width	1560

Power Supply	Maximum Power (kW)	Air Pressure (Bar)	Air Consumption (NI/Cycle)
Three-phase AC 380V ± %10 (50Hz/60 Hz)	1.6	(*2) 4 - 6	4.5

(*2) Need for Pressurized Air Purified (Dried) from Oil and Humidity Exists.

▶ GENERAL FEATURES

- Vacuum Line
- Blow Line
- Sprue Gripper Line
- Product Pickup from Fixed and Moving Platens
- Selection of Operator / Non-operator Working Direction
- Vacuum Level Adjustment on the Control Panel
- Product Sorting and Stacking
- Product Sorting in Matrix Form
- Soft Sorting / Separation
- Y Axis Free
- Eco Mode (Automatic Energy Saving Cycle Feature)
- Product Extraction from Core in the Mold
- Sprue Separation
- Sample Separation
- Crosswise J (Pass) Motion
- Defective Product Separation (Machine Feature Compatibility Support)
- Turkish and English Message Support on the Control Panel
- IMM Door Open Permission during Pause
- Pause during Operation
- C Axis Rotation Control
- 90° Soft Stop
- Connection Adapter between Robot and Injection Machine
- Mode Operation Function Control
- Extra Mold Safety Sensor (Optional)
- Overload Protection
- Conveyor Control
- Multi Language Support
- Operation Record Feature
- Alarm Record Feature
- USB Memory Connection
- Memory of upto 50 Molds
- Ejector Control
- Euromap 12/67 Robot Interface
- Economic Vacuum Feature (Optional)

SERVICE WE GIVE SECTORS

STRENGTH
PERFORMANCE
ENERGY
EFFICIENT

Food
Packaging

Household
Plastics

Disposable
Plastics
(CUTLERY
PLASTIC CUPS)

Home
Appliances

Automotive

Outdoor
Furniture

Electrics

Construction

Defense
Industry

Fruit Box-Pallet

Stationery Items

Medical

Toys

MORITECH[®]

www.moritech.com.tr

Design

We realize designs in line with the requirements of the project partners without compromising from the reliability and quality to pursue products that are user friendly, functional for long-terms, and safe both for mechanical system and the personnel.

Solution Oriented Production

Our company which develops high-quality, reliable and innovative technology targeting realization of the most effective production always focuses on sustainable and permanent solutions based on the needs for its project partners.

Prompt Support

With the help of technical infrastructure and personnel, we also provide technical support and spare part services to the customers. We promptly respond to all after-sales technical needs.

MORITECH[®]

www.moritech.com.tr

MORITECH®

MORITECH®



Tepeören Mh. İTOSB 4. Cd. No: 29 Tuzla 34959 İstanbul / Türkiye

+90 216 304 10 45 | +90 216 304 10 46

info@moritech.com.tr

www.moritech.com.tr